

IFS-500, IFS-800

5x 10/100Base-TX Fast Ethernet Switch
8x 10/100Base-TX Fast Ethernet Switch



IFS-500/800 models are 5-port/8-port respectively 10/100Base-TX non-managed Fast Ethernet switches that provide stable and reliable Ethernet transmission. Housed in rugged DIN rail or wall mountable enclosures, these switches are designed for harsh environments, such as industrial networking, intelligent transportation systems (ITS) and are also suitable for many military and utility market applications where environmental conditions exceed commercial product specifications. Standard operating temperature range models (-10 to 60°C) and wide operating temperature range models (-40 to 75°C) fulfill the special needs of industrial automation applications.

Features

- Redundant dual DC input power 12/24/48VDC (9.6~60VDC)
- IP30 rugged metal housing
- Wide operating temperature -40~75°C (IFS-500, IFS-800)
- UL60950-1, CE, FCC Certification
- Industrial Grade EMS, EMI, EN61000-6-2, EN61000-6-4 certified
- 5 or 8-Port 10/100Base-TX (RJ-45)
- Provides broadcast storm protection
- Supports DIP SW for alarm setting and broadcast storm protection
- Supports power failure alarm message by relay
- Supports flow control

Specifications

IEEE Standard	IEEE 802.3 10Base-T Ethernet IEEE 802.3u 100Base-TX and 100Base-FX Fast Ethernet IEEE 802.3x Flow Control and Back Pressure
Switch Architecture	Back-plane (Switching Fabric): 1.0 Gbps (IFS-500, IFS-500-E) 1.6Gbps (IFS-800, IFS-800-E)
Data Processing	Store and Forward
Flow Control	IEEE 802.3x flow control, back pressure flow control
Provides Broadcast Storm Protection	Present
MAC Address Table	2K
Packet Buffer Size	448Kbits
Network Connector	5 x RJ-45 (IFS-500, IFS-500-E) 8 x RJ-45 (IFS-800, IFS-800-E) 10/100Base-TX auto negotiation speed, Auto MDI/MDI-X function, Full/Half duplex
Network Cable	10Base-T: 2-pair UTP/STP Cat.5 cable EIA/TIA-568 100-ohm (100m) 100Base-TX: 2-pair UTP/STP Cat. 5 cable EIA/TIA-568 100-ohm (100m)
Protocols	CSMA/CD
LED	Per unit: Power 1 (Green), Power 2 (Green), Fault (Amber) Per port: Link/Active (Green), Speed/100 (Yellow)
DIP SW	DIP 1 OFF : Enable power failure alarm ON : Disable DIP 2 OFF : Enable broadcast storm protection ON : Disables broadcast storm protection
Reverse Polarity Protection	Present
Overload Current Protection	Present
Power Supply	Redundant Dual DC 12/24/48V (9.6~60VDC) Input power (Removable Terminal Block) Provide DC Power JACK adapter cable for external power supply
Power Consumption	2.9W (IFS-500, IFS-500-E) 3.9W (IFS-800, IFS-800-E)
Alarm Relay Contact	Relay outputs with current carrying capacity of 1 A @24VDC, NC
Removable Terminal Block	Provide 2 Redundant power, Alarm relay contact, 6 Pin
Operating Temperature	-10 ~ 60°C (IFS-500, IFS-800) -40 ~ 75°C (IFS-500-E, IFS-800-E)

Operating Humidity	5% to 95% (Non-condensing)
Storage Temperature	-40 ~ 85°C
Housing	Rugged Metal, IP30 Protection
Dimensions	106 x 31.6 x 142mm (D x W x H)
Weight	0.625kg (IFS-500, IFS-500-E) 0.64kg (IFS-800, IFS-800-E)
Installation Mounting	DIN Rail mounting or wall mounting
EMI	FCC Part 15 Subpart B Class A, CE EN 55022 Class A EN61000-6-4 – Emission for industrial environment
EMS	EN61000-6-2 – Immunity for Industrial environment EN61000-4-2 (ESD) Level 3, Criteria B EN61000-4-3 (RS) Level 3, Criteria A EN61000-4-4 (Burst) Level 3, Criteria A EN61000-4-5 (Surge) Level 3, Criteria B EN61000-4-6 (CS) Level 3, Criteria A EN61000-4-8 (Magnetic Field) Level 3, Criteria A
Safety	UL60950-1 (Pending)
Rail Traffic	EN50121-4
Shock	IEC 60068-2-27
Freecall	IEC 60068-2-32
Vibration	IEC 60068-2-6
MTBF	650,473Hrs (IFS-500, IFS-500-E) 552,587Hrs (IFS-800, IFS-800-E)
Warranty	5 years

Specifications & design are subject to change without prior notice. Please visit CTC Union website for more details.

Application

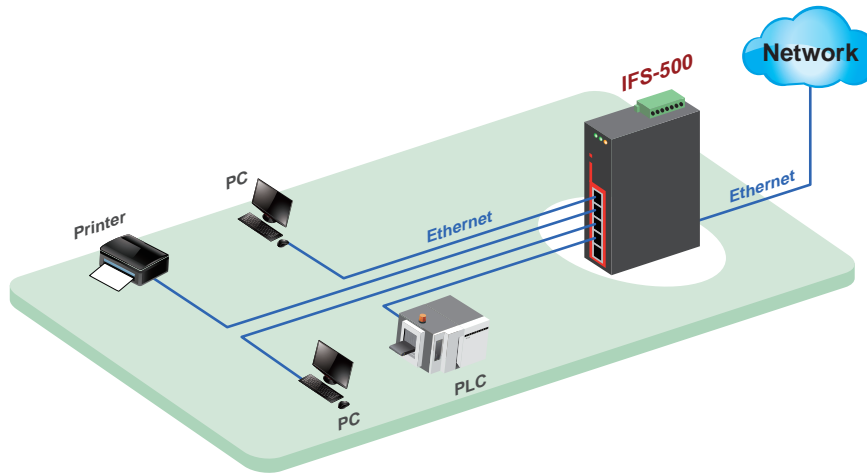
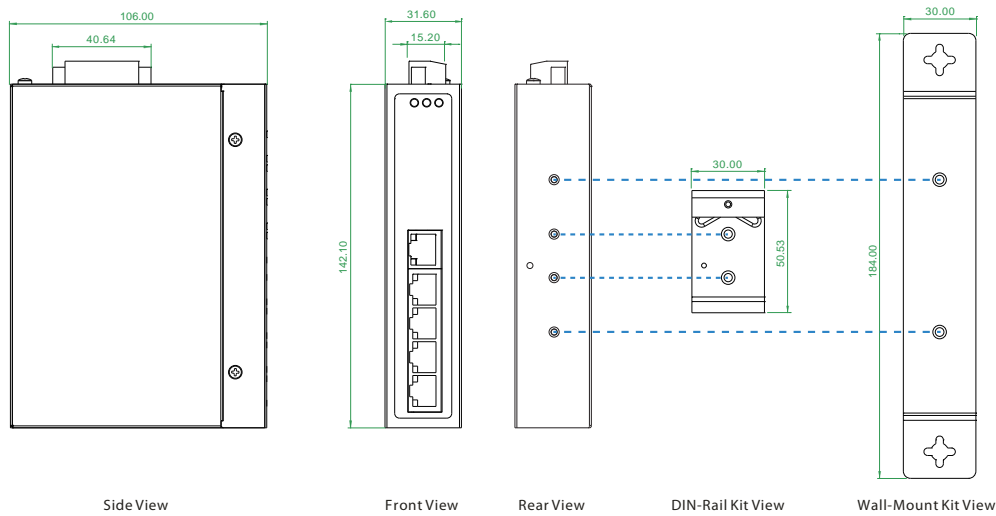


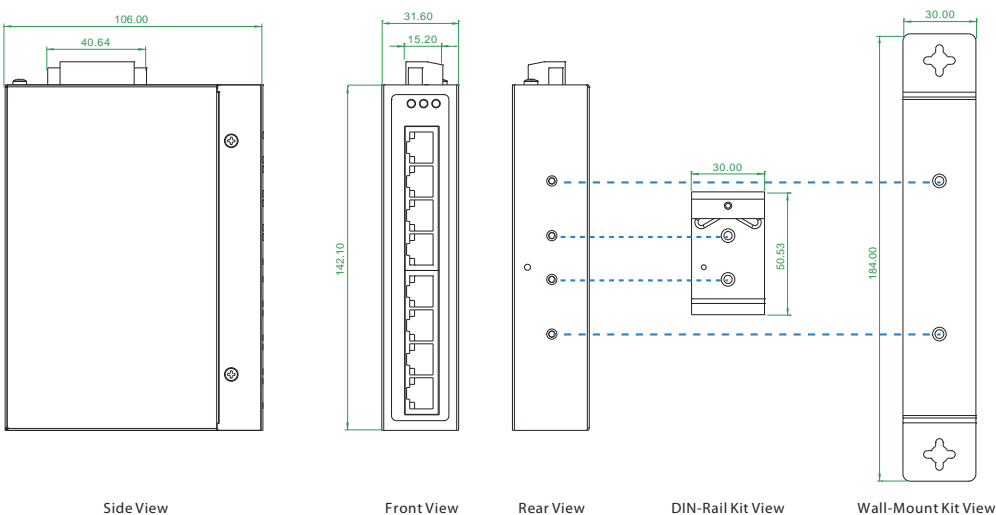
Figure : IFS-500 Fast Ethernet Switch Transmission

Dimensions

IFS-500



IFS-800



Ordering Information

Model Name	Description
IFS-500	5-Port 10/100Base-TX Ethernet Switch, -10 ~ 60°C
IFS-500-E	5-Port 10/100Base-TX Ethernet Switch, -40 ~ 75°C
IFS-800	8-Port 10/100Base-TX Ethernet Switch, -10 ~ 60°C
IFS-800-E	8-Port 10/100Base-TX Ethernet Switch, -40 ~ 75°C

Accessories

DR-4524	Industrial Power, Input 85 ~ 264VAC, Output 24VDC, 48W, -10 ~ +50°C
MDR-40-24	Industrial Power, Input 85 ~ 264VAC, Output 24VDC, 40W, -20 ~ +70°C

Temperature
IFS - 500 - □
 Example: IFS - 500 - E