

# IFS-500, IFS-800

## 5x 10/100Base-TX Fast Ethernet Switch 8x 10/100Base-TX Fast Ethernet Switch



IFS-500/800 models are 5-port/8-port respectively 10/100Base-TX non-managed Fast Ethernet switches that provide stable and reliable Ethernet transmission. Housed in rugged DIN rail or wall mountable enclosures, these switches are designed for harsh environments, such as industrial networking, intelligent transportation systems (ITS) and are also suitable for many military and utility market applications where environmental conditions exceed commercial product specifications. Standard operating temperature range models (-10 to 60°C) and wide operating temperature range models (-40 to 75°C) fulfill the special needs of industrial automation applications.

### Features

- Redundant dual DC input power 12/24/48VDC (9.6~60VDC)
- IP30 rugged metal housing
- Wide operating temperature -40~75°C (IFS-500, IFS-800)
- UL60950-1, CE, FCC Certification
- Industrial Grade EMS, EMI, EN61000-6-2, EN61000-6-4 certified
- 5 or 8-Port 10/100Base-TX (RJ-45)
- Provides broadcast storm protection
- Supports DIP SW for alarm setting and broadcast storm protection
- Supports power failure alarm message by relay
- Supports flow control

### Specifications

<b>IEEE Standard</b>	IEEE 802.3 10Base-T Ethernet IEEE 802.3u 100Base-TX and 100Base-FX Fast Ethernet IEEE 802.3x Flow Control and Back Pressure
<b>Switch Architecture</b>	Back-plane (Switching Fabric): 1.0 Gbps (IFS-500, IFS-500-E) 1.6Gbps (IFS-800, IFS-800-E)
<b>Data Processing</b>	Store and Forward
<b>Flow Control</b>	IEEE 802.3x flow control, back pressure flow control
<b>Provides Broadcast Storm Protection</b>	Present
<b>MAC Address Table</b>	2K
<b>Packet Buffer Size</b>	448Kbits
<b>Network Connector</b>	5 x RJ-45 (IFS-500, IFS-500-E) 8 x RJ-45 (IFS-800, IFS-800-E) 10/100Base-TX auto negotiation speed, Auto MDI/MDI-X function, Full/Half duplex
<b>Network Cable</b>	10Base-T: 2-pair UTP/STP Cat.5 cable EIA/TIA-568 100-ohm (100m) 100Base-TX: 2-pair UTP/STP Cat. 5 cable EIA/TIA-568 100-ohm (100m)
<b>Protocols</b>	CSMA/CD
<b>LED</b>	Per unit: Power 1 (Green), Power 2 (Green), Fault (Amber) Per port: Link/Active (Green), Speed/100 (Yellow)
<b>DIP SW</b>	DIP 1 OFF : Enable power failure alarm ON : Disable DIP 2 OFF : Enable broadcast storm protection ON : Disables broadcast storm protection
<b>Reverse Polarity Protection</b>	Present
<b>Overload Current Protection</b>	Present
<b>Power Supply</b>	Redundant Dual DC 12/24/48V (9.6~60VDC) Input power (Removable Terminal Block) Provide DC Power JACK adapter cable for external power supply
<b>Power Consumption</b>	2.9W (IFS-500, IFS-500-E) 3.9W (IFS-800, IFS-800-E)
<b>Alarm Relay Contact</b>	Relay outputs with current carrying capacity of 1 A @24VDC, NC
<b>Removable Terminal Block</b>	Provide 2 Redundant power, Alarm relay contact, 6 Pin
<b>Operating Temperature</b>	-10 ~ 60°C (IFS-500, IFS-800) -40 ~ 75°C (IFS-500-E, IFS-800-E)

<b>Operating Humidity</b>	5% to 95% (Non-condensing)
<b>Storage Temperature</b>	-40 ~ 85°C
<b>Housing</b>	Rugged Metal, IP30 Protection
<b>Dimensions</b>	106 x 31.6 x 142mm (D x W x H)
<b>Weight</b>	0.625kg (IFS-500, IFS-500-E) 0.64kg (IFS-800, IFS-800-E)
<b>Installation Mounting</b>	DIN Rail mounting or wall mounting
<b>EMI</b>	FCC Part 15 Subpart B Class A, CE EN 55022 Class A EN61000-6-4 – Emission for industrial environment
<b>EMS</b>	EN61000-6-2 – Immunity for Industrial environment EN61000-4-2 (ESD) Level 3, Criteria B EN61000-4-3 (RS) Level 3, Criteria A EN61000-4-4 (Burst) Level 3, Criteria A EN61000-4-5 (Surge) Level 3, Criteria B EN61000-4-6 (CS) Level 3, Criteria A EN61000-4-8 (Magnetic Field) Level 3, Criteria A
<b>Safety</b>	UL60950-1 (Pending)
<b>Rail Traffic</b>	EN50121-4
<b>Shock</b>	IEC 60068-2-27
<b>Freerfall</b>	IEC 60068-2-32
<b>Vibration</b>	IEC 60068-2-6
<b>MTBF</b>	650,473Hrs (IFS-500, IFS-500-E) 552,587Hrs (IFS-800, IFS-800-E)
<b>Warranty</b>	5 years

Specifications & design are subject to change without prior notice. Please visit CTC Union website for more details.

## Application

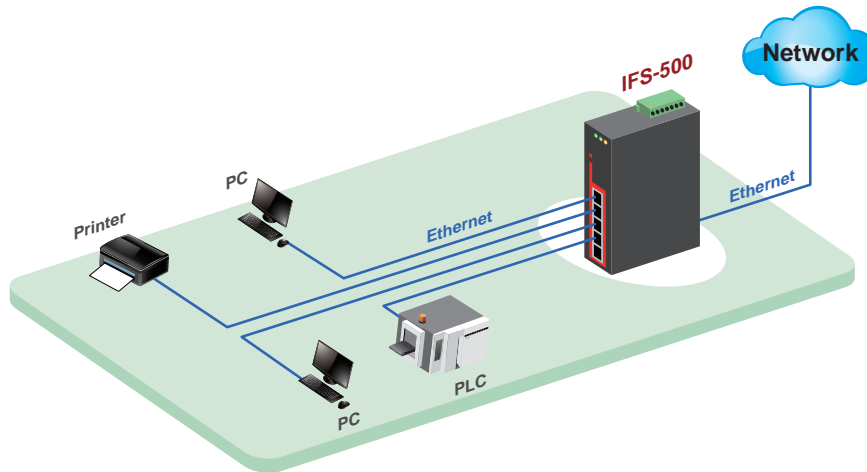
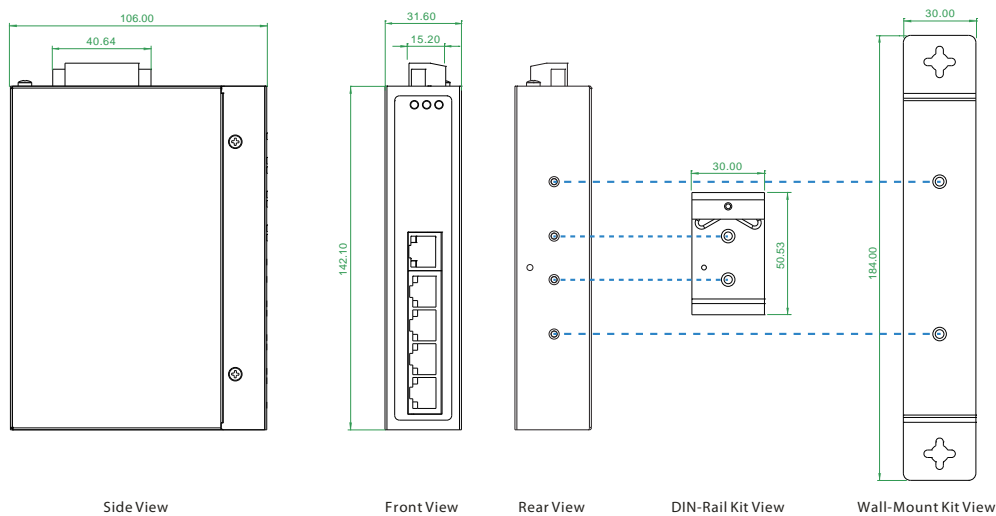


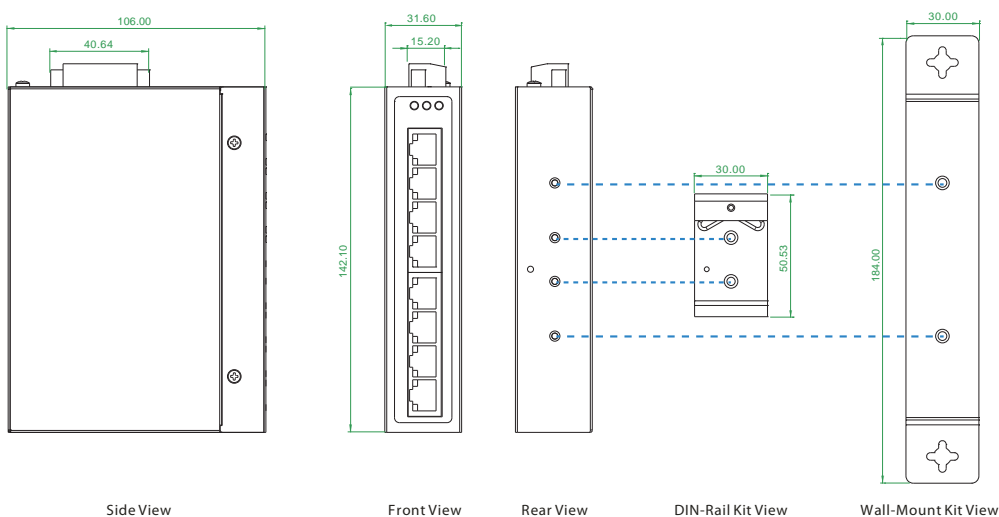
Figure : IFS-500 Fast Ethernet Switch Transmission

## Dimensions

IFS-500



IFS-800



## Ordering Information

Model Name	Description
IFS-500	5-Port 10/100Base-TX Ethernet Switch, -10 ~ 60°C
IFS-500-E	5-Port 10/100Base-TX Ethernet Switch, -40 ~ 75°C
IFS-800	8-Port 10/100Base-TX Ethernet Switch, -10 ~ 60°C
IFS-800-E	8-Port 10/100Base-TX Ethernet Switch, -40 ~ 75°C

### Accessories

DR-4524	Industrial Power, Input 85 ~ 264VAC, Output 24VDC, 48W, -10 ~ +50°C
MDR-40-24	Industrial Power, Input 85 ~ 264VAC, Output 24VDC, 40W, -20 ~ +70°C

Temperature  
**IFS - 500 - □**  
 Example: IFS - 500 - E