

IGS-500

5x 10/100/1000Base-T Gigabit Ethernet Switch

IGS-800

8x 10/100/1000Base-T Gigabit Ethernet Switch



NEW

8

Industrial ethernet switch

IGS-500/800 models are 5-port/8-port respectively 10/100/1000Base-T non-managed Gigabit Ethernet switches that provide stable and reliable Ethernet transmission. Housed in rugged DIN rail or wall mountable enclosures, these switches are designed for harsh environments, such as industrial networking, intelligent transportation systems (ITS) and are also suitable for many military and utility market applications where environmental conditions exceed commercial product specifications. Standard operating temperature range models (-10 to 60°C) and wide operating temperature range models (-40 to 75°C) fulfill the special needs of industrial automation applications.

Features

- 5 or 8-Port 10/100/1000Base-T RJ-45 Gigabit Ethernet Switch
- Supports broadcast storm protection
- Supports power failure alarm message by relay
- Supports flow control
- Jumbo frame supports
- Supports auto-negotiation and auto-MDI/MDI-X
- Redundant dual DC input power 12/24/48VDC (9.6~60VDC)
- IP30 rugged metal housing
- Supports DIN Rail or wall mounting installation
- Wide operating temperature -40~75°C (IGS-800-E)
- UL60950-1, CE, FCC Certification
- Industrial Grade EMS, EMI, EN61000-6-2, EN61000-6-4 certified

Specifications

IEEE Standard	IEEE 802.3 10Base-T Ethernet IEEE 802.3u 100Base-TX Fast Ethernet IEEE 802.3ab 1000Base-T Gigabit Ethernet IEEE802.3x Flow Control
Switch Architecture	Back-plane (Switching Fabric): 10Gbps (IGS-500, IGS-500-E) Back-plane (Switching Fabric): 16Gbps (IGS-800, IGS-800-E)
Data Processing	Store and Forward
Flow Control	IEEE 802.3x flow control for Full duplex , back pressure for half duplex
Provides Broadcast Storm Protection	Present
Jumbo Frame	9.6KBytes
MAC Address Table	8K
Packet Buffer Size	512KByte
Network Connector	5 x RJ-45 (IGS-500, IGS-500-E) 8 x RJ-45 (IGS-800, IGS-800-E) 10/100/1000Base-TX auto negotiation speed, Auto MDI/MDI-X function, Full/Half duplex
Network Cable	10Base-T: 2-pair UTP/STP Cat. 5 cable EIA/TIA-568 100-ohm (100m) 100Base-TX: 2-pair UTP/STP Cat. 5 cable EIA/TIA-568 100-ohm (100m)
Protocols	CSMA/CD
LED	Per unit: Power 1 (Green), Power 2 (Green), Fault (Amber) Per RJ-45 Port: Link/Active (Green), Speed: 10 (OFF), 100 (Green), 1000 (Yellow)
DIP SW	DIP 1 ON : Disable OFF : Enable power failure alarm DIP 2 ON : Disables broadcast storm protection OFF : Enable broadcast storm protection
Reserve Polarity Protection	Present for Power Input
Overload Current Protection	Present
Power Supply	Redundant Dual DC 12/24/48V (9.6~60VDC) Input power (Removable Terminal Block) Provide DC Power JACK adapter cable for external power supply
Alarm Relay Contact	Relay outputs with current carrying capacity of 1 A @24VDC, NC
Removable Terminal Block	Provide 2 redundant power, alarm relay contact, 6 Pin

Power Consumption	TBD
Operating Temperature	-10°C~60°C (IGS-500, IGS-800) -40°C~75°C (IGS-500-E, IGS-800-E)
Operating Humidity	5% to 95% (Non-condensing)
Storage Temperature	-40 ~ 85°C
Housing	Rugged Metal, IP30 Protection
Dimensions	106 x 38.6 x 142 mm (D x W x H)
Weight	TBD
Installation Mounting	DIN Rail mounting or wall mounting
EMI	FCC Part 15 Subpart B Class A EN 55022 Class A EN 61000-6-4 - Emission for industrial environment
EMS	EN 61000-6-2 - Immunity for Industrial environment EN61000-4-2 (ESD) Level 3, Criteria B EN61000-4-3 (RS) Level 3, Criteria A EN61000-4-4 (Burst) Level 3, Criteria B EN61000-4-5 (Surge) Level 3, Criteria B EN61000-4-6 (CS) Level 3, Criteria A EN61000-4-8 (Magnetic Field) Level 3, Criteria A
Safety	UL60950-1(Pending)
Shock	IEC 60068-2-27
Freefall	IEC 60068-2-32
Vibration	IEC 60068-2-6
MTBF	TBD (Above 30 years)
Warranty	5 years

Specifications & design are subject to change without prior notice. Please visit CTC Union website for more details.

Application

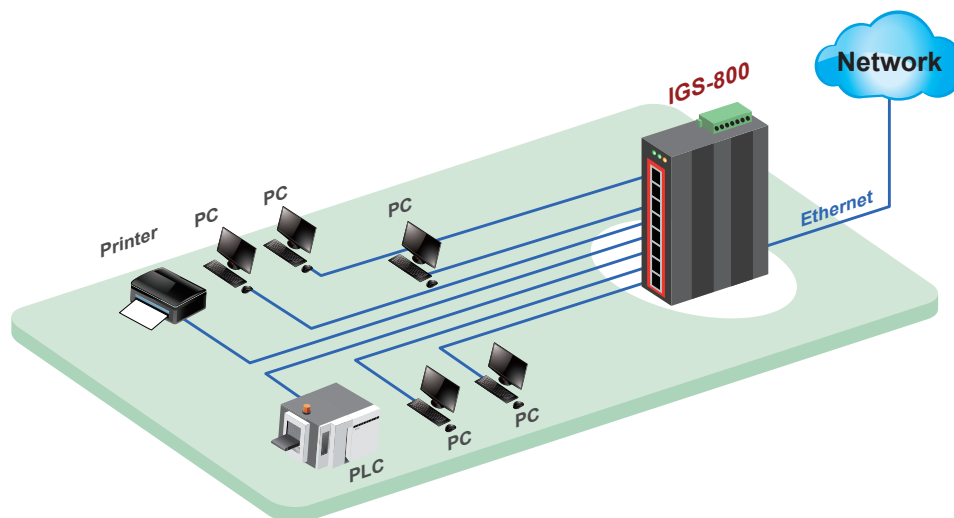
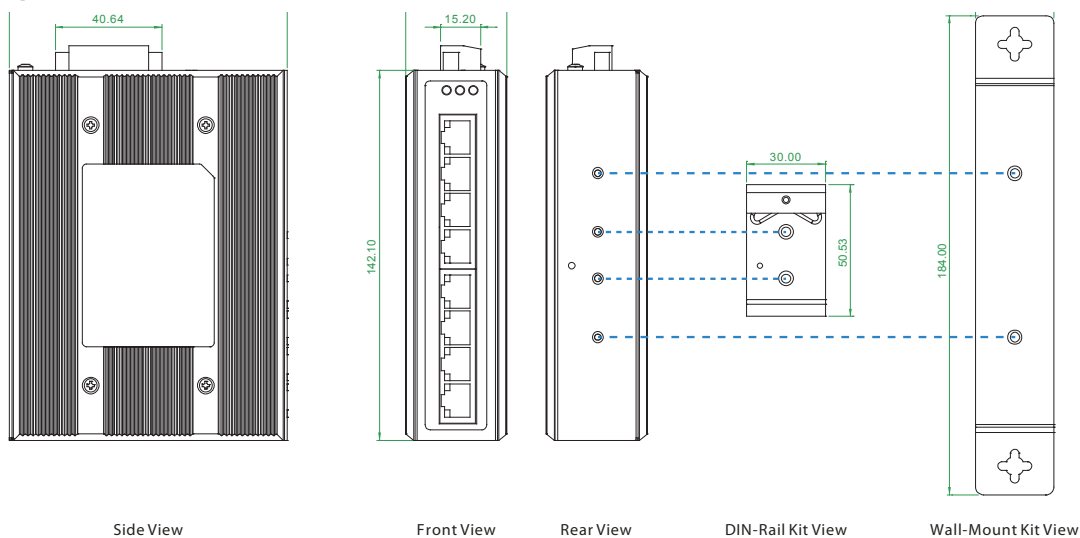


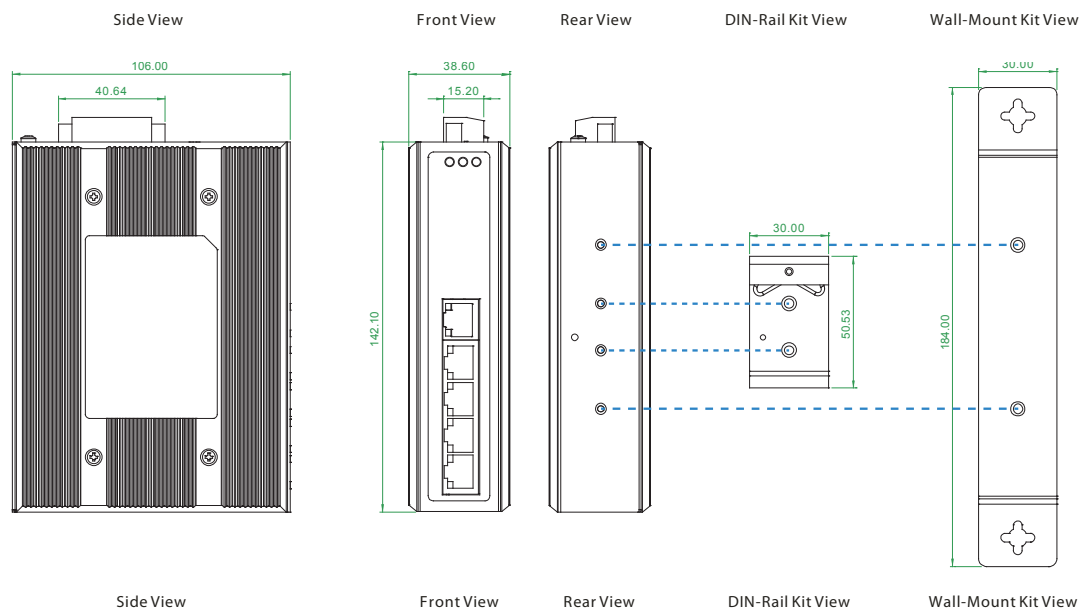
Figure : IGS-800 Gigabit Ethernet Switch Transmission

Dimensions

IGS-800



IGS-500



Ordering Information

Model Name	Description
IGS-500	5-Port 10/100/1000Base-T Gigabit Ethernet Switch, -10°C~60°C
IGS-500-E	5-Port 10/100/1000Base-T Gigabit Ethernet Switch, -40°C~75°C
IGS-800	8-Port 10/100/1000Base-T Gigabit Ethernet Switch, -10°C~60°C
IGS-800-E	8-Port 10/100/1000Base-T Gigabit Ethernet Switch, -40°C~75°C

Accessories

DR-4524	Industrial Power, Input 85 ~ 264VAC, Output 24VDC, 48W, -10 ~ +50°C
MDR-40-24	Industrial Power, Input 85 ~ 264VAC, Output 24VDC, 40W, -20 ~ +70°C

Temperature

IGS - 500 -
Example: IGS - 500 - E